

CRUSH PIER

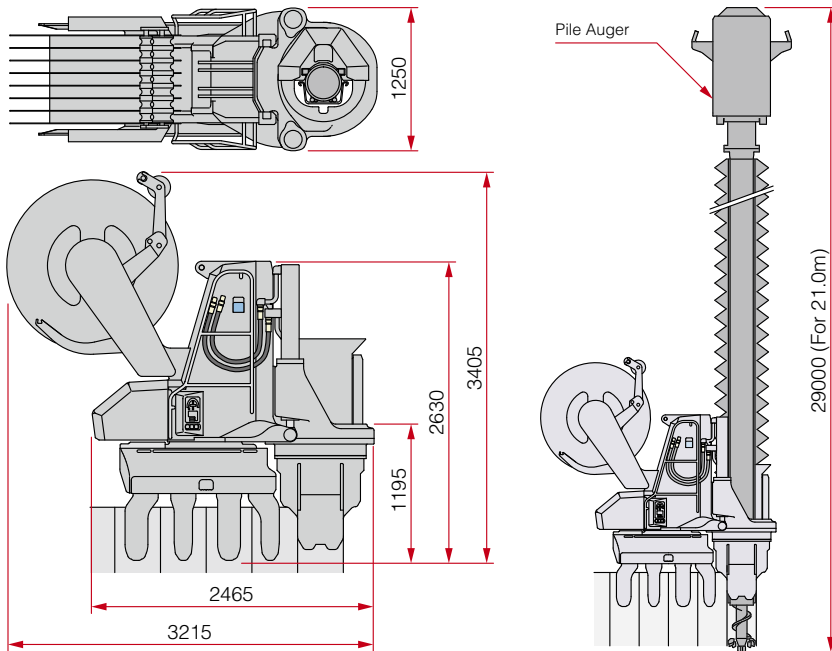
SUPER CRUSH U400M

The Silent Piler for Hard Ground
SUPER CRUSH SCU-400M



 **GIKEN**

CRUSH PILER SCU-400M



Specification (SCU-400M)

Silent Piler Main Body	
Max. Press-in Force	800 kN (82 ton)
Max. Extraction Force	900 kN (92 ton)
Stroke	1,000 mm
Mass (Including the Hose Reel)	10,600 kg
Applicable Sheet Piles	Type II, III, IV
Control System	Radio Control (Optional)

* For information about other sheet pile sections, please contact to the nearest GIKEN office.

Pile Auger	
Mass	9,600 kg (For 21.0m)

Total Mass 20,200 kg (21.0 m)

Specification (EU300F3)

Power Unit		
Power Source		Diesel Engine
Rated Output	Power Mode	230 kW(313 ps)/1,800 min ⁻¹
	Eco Mode	204 kW(277 ps)/1,600 min ⁻¹
Fuel Tank Capacity		500 L
Hydraulic Oil Tank Capacity		Piler Eco Oil 630L
Mobile Speed		1.4 km/h
Noise Level		Ultra-Low Noise Standard certified by MLIT of Japan
Exhaust emission regulations		The Off-road Regulations of Japan
Mass		7,980 kg

*Including 20m long hydraulic hoses, full fuel & rating volume of hydraulic oil

Washing Apparatus	
Mass	320 kg

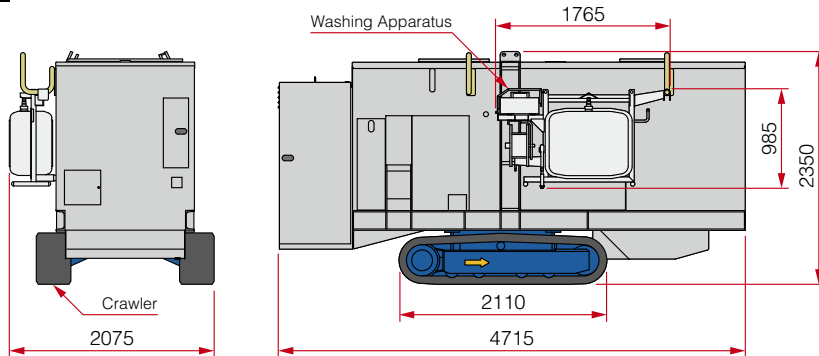
Total Mass 8,300 kg

Specification (Reaction Stand)

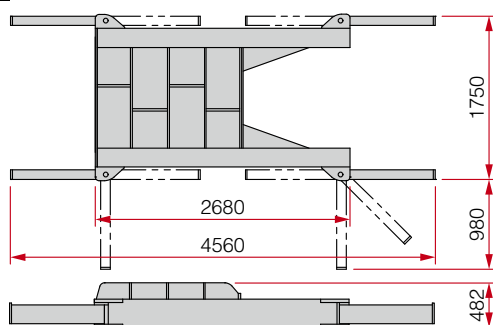
Mass	1,250 kg
------	----------

* The above specifications are subject to alteration without prior notice.

Power Unit EU300F3



Reaction Stand

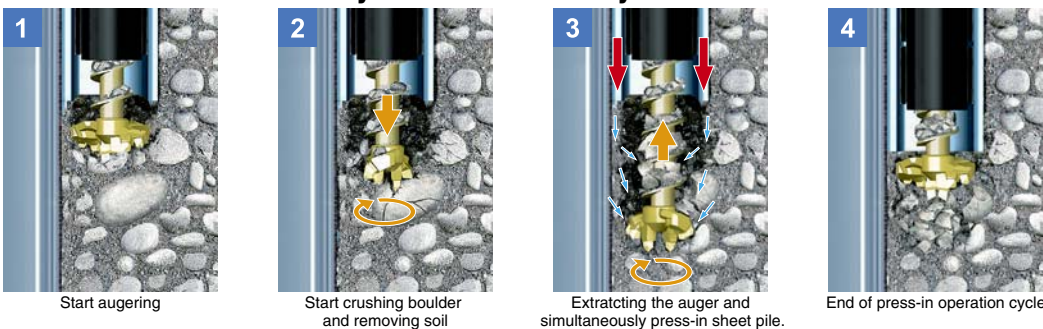


Augering through boulders



Sheet piling on the water

Press-in into boulder layers and cobble layers



GIKEN Construction Solutions Company

GIKEN SEISAKUSHO CO., LTD.

JP International Dep. Tel.: +81-(0)88-846-2980

Fax: +81-(0)88-826-5288 E-mail: international@giken.com
3948-1 Nunoshida, Kochi-shi, Kochi 781-5195, Japan

GIKEN SEISAKUSHO ASIA PTE., LTD.

SG Head Office Tel.: +65-6863-0330

Fax: +65-6863-1141 E-mail: info@gikenasia.com
10 Hoe Chiang Road, #05-02 Keppel Towers, Singapore 089315

www.giken.com